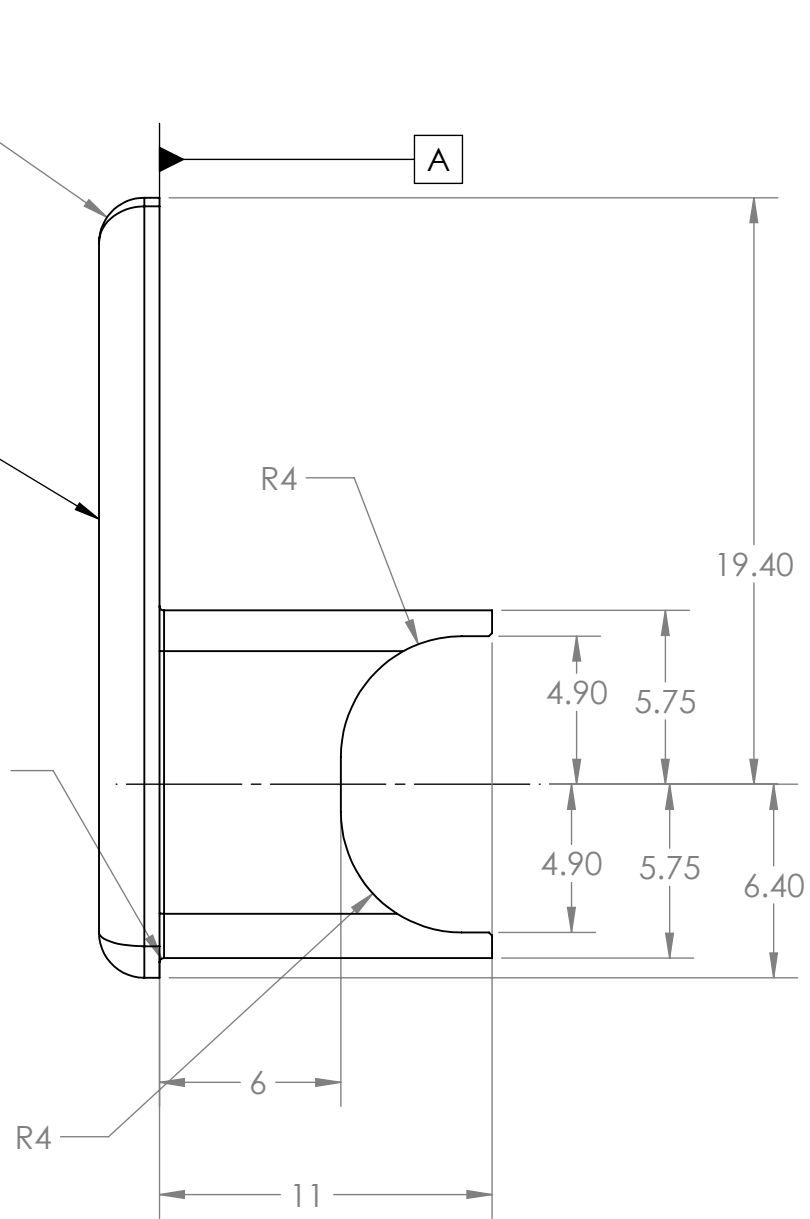


R1.50  
ALL AROUND

0.3 A B

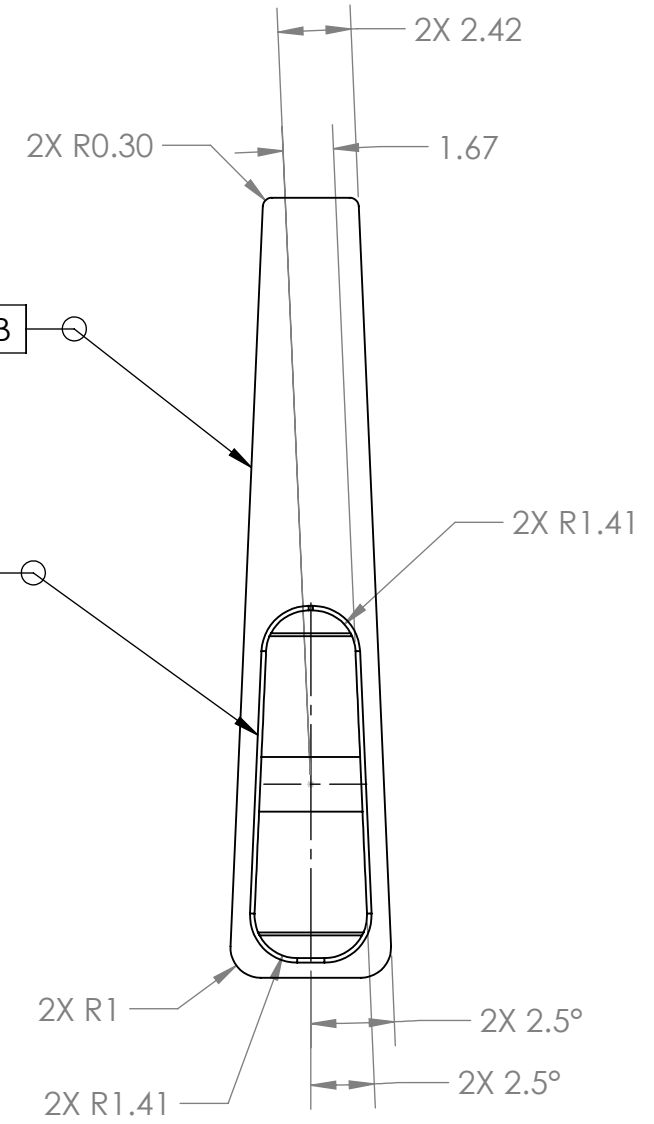
R0.15  
ALL AROUND  
0.1 A B



0.15 A B

0.1 A

B



NOTES:

1. APPROVED MATERIALS:
  - COPPER ALLOY C10100 PER ASTM B224, ANNEALED TO O60
  - COPPER ALLOY C12200 PER ASTM B224, ANNEALED TO O60
2.  $\sqrt{3.2}$  APPLIES TO ALL SURFACES

MATERIAL <b>SEE NOTES</b>	<b>UNLESS OTHERWISE SPECIFIED:</b>
FINISH <b>NONE</b>	DIMENSIONS ARE IN MILLIMETERS
MASS <b>4.05 g</b>	ALL DIMENSIONS ARE BASIC
<b>PROPRIETARY AND CONFIDENTIAL</b> THE INFORMATION CONTAINED IN THIS DRAWING IS THE SOLE PROPERTY OF LC DRIVES ANY REPRODUCTION IN PART OR AS A WHOLE WITHOUT THE WRITTEN PERMISSION OF LC DRIVES IS PROHIBITED	$\sqrt{0.5}$ A B C APPLIES TO ALL UNTOLERANCED SURFACES
	DIMENSIONS APPLY AFTER FINISH IS APPLIED
	INTERPRET GEOMETRIC TOLERANCING PER: ASME Y14.5-2009
	DO NOT SCALE DRAWING
	3D CAD MODEL IS MASTER

DRAWN	NAME	DATE
CHECKED	DJB	09/18/2018
ENG APPR.		
MFG APPR.		
Q.A.		
<b>LC Drives</b> www.lcdrives.com		

TITLE: <b>CAP, END TURN, BUBBLER, 20IN MACHINE</b>			
SIZE	PART NUMBER	MAJOR REV	MINOR REV
<b>B</b>	<b>02706</b>	<b>#</b>	<b>00</b>
SCALE: 4:1		SHEET 1 OF 1	