

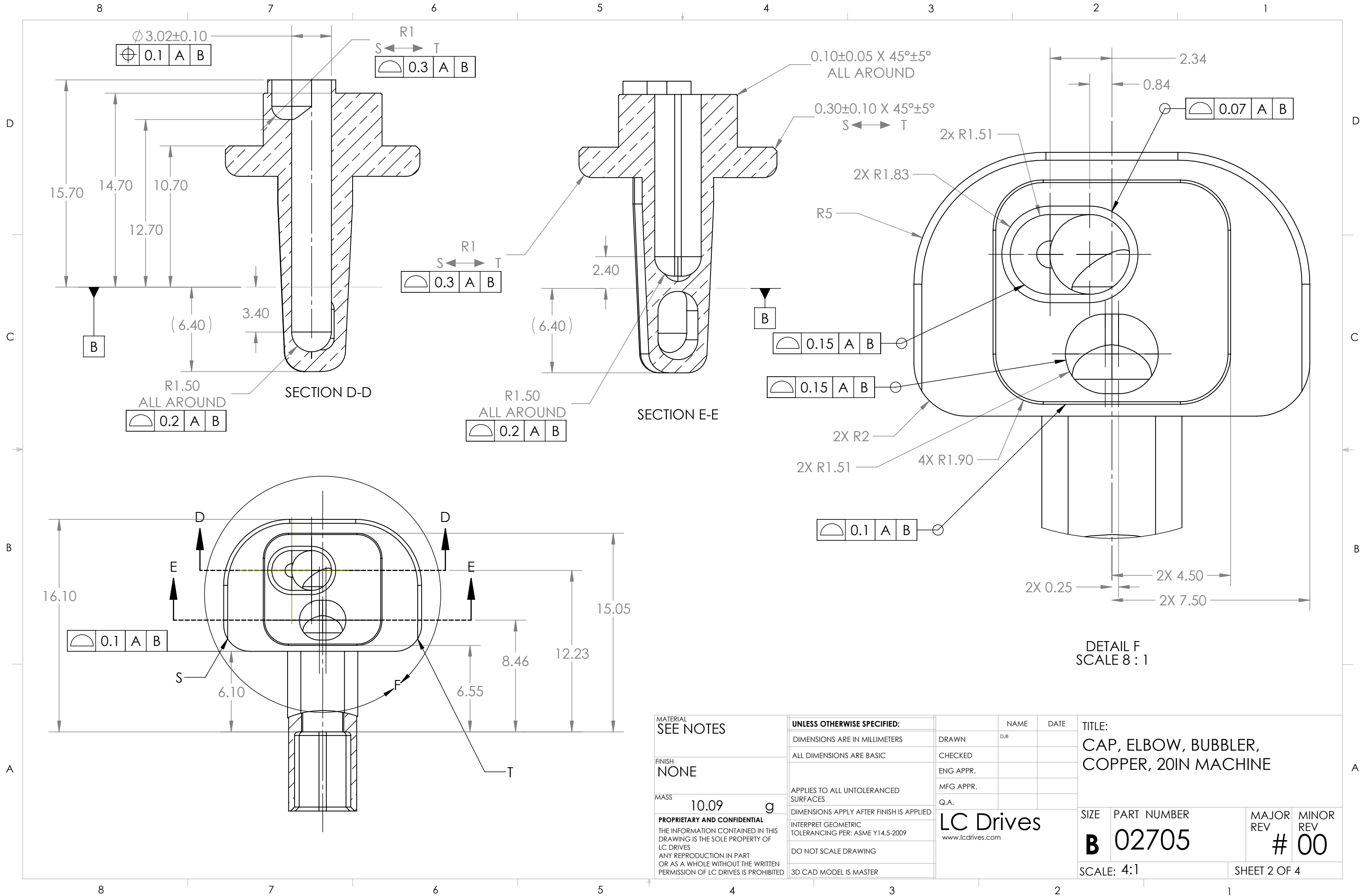
SECTION A-A

- NOTES:
- APPROVED MATERIALS:
 - COPPER ALLOY C10100 PER ASTM B224, ANNEALED TO O60
 - COPPER ALLOY C12200 PER ASTM B224, ANNEALED TO O60
 - 3.2 ✓ APPLIES TO ALL SURFACES

MATERIAL SEE NOTES	UNLESS OTHERWISE SPECIFIED:	NAME	DATE	TITLE:	
FINISH NONE	DIMENSIONS ARE IN MILLIMETERS	DRAWN	DJB	09/17/2018	CAP, ELBOW, BUBBLER, COPPER, 20IN MACHINE
MASS 10.09 g	ALL DIMENSIONS ARE BASIC	CHECKED			
PROPRIETARY AND CONFIDENTIAL THE INFORMATION CONTAINED IN THIS DRAWING IS THE SOLE PROPERTY OF LC DRIVES ANY REPRODUCTION IN PART OR AS A WHOLE WITHOUT THE WRITTEN PERMISSION OF LC DRIVES IS PROHIBITED	 APPLIES TO ALL UNTOLERANCED SURFACES DIMENSIONS APPLY AFTER FINISH IS APPLIED INTERPRET GEOMETRIC TOLERANCING PER: ASME Y14.5-2009 DO NOT SCALE DRAWING 3D CAD MODEL IS MASTER	ENG APPR.			
		MFG APPR.			SIZE
		Q.A.			B
					PART NUMBER
					02705
					MAJOR REV
					#
					MINOR REV
					00
					SCALE: 4:1
					SHEET 1 OF 4

8 7 6 5 4 3 2 1

8 7 6 5 4 3 2 1



MATERIAL
SEE NOTES

FINISH
NONE

MASS
10.09 g

PROPRIETARY AND CONFIDENTIAL
 THE INFORMATION CONTAINED IN THIS DRAWING IS THE SOLE PROPERTY OF LC DRIVES
 ANY REPRODUCTION IN PART OR AS A WHOLE WITHOUT THE WRITTEN PERMISSION OF LC DRIVES IS PROHIBITED

UNLESS OTHERWISE SPECIFIED:

DIMENSIONS ARE IN MILLIMETERS

ALL DIMENSIONS ARE BASIC

APPLIES TO ALL UNTOLERANCED SURFACES

DIMENSIONS APPLY AFTER FINISH IS APPLIED

INTERPRET GEOMETRIC TOLERANCING PER: ASME Y14.5-2009

DO NOT SCALE DRAWING

3D CAD MODEL IS MASTER

NAME	DATE
DJB	

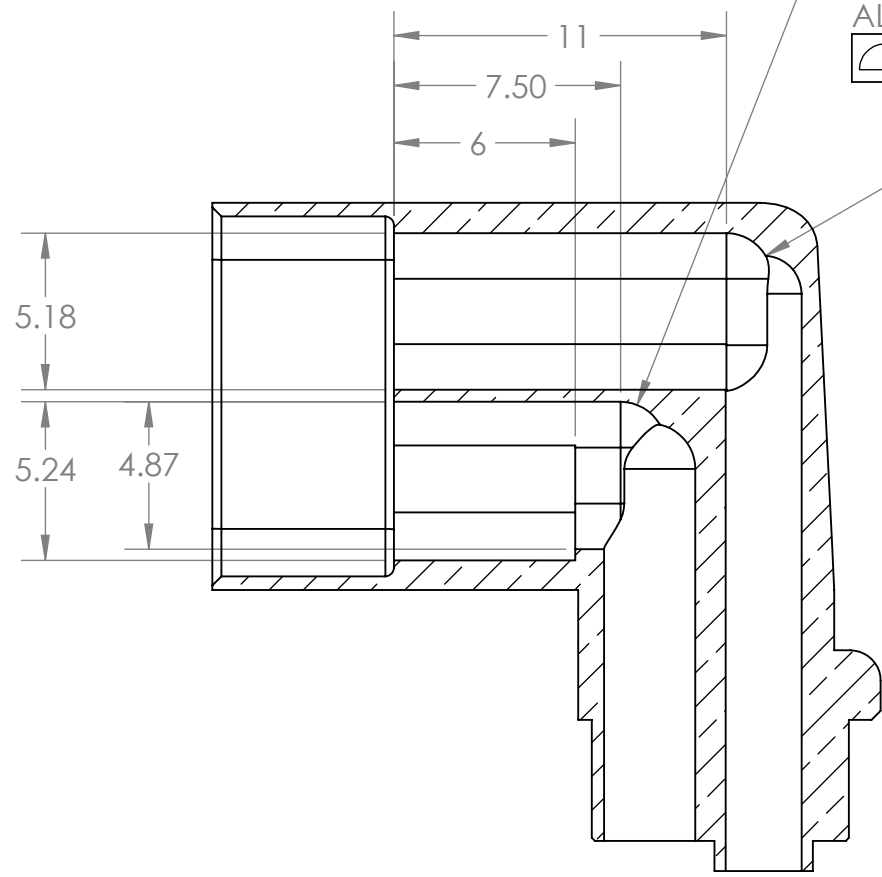
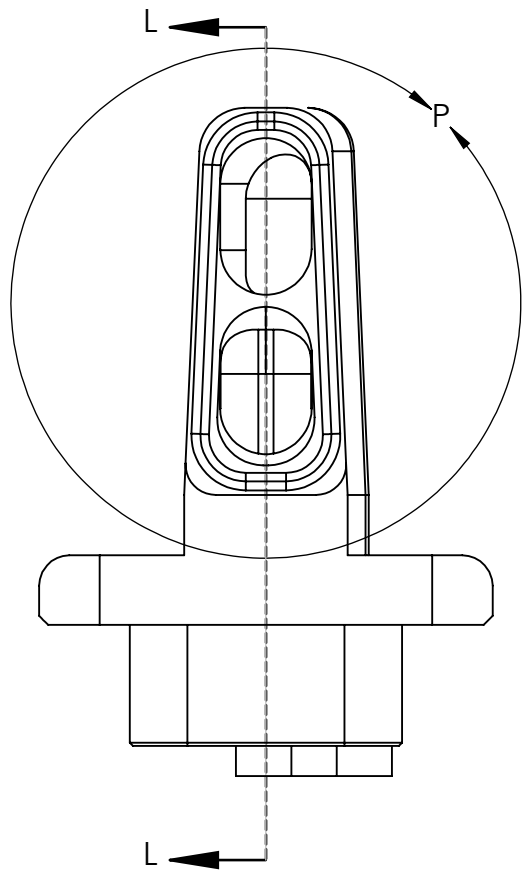
LC Drives
www.lcdrives.com

TITLE:
CAP, ELBOW, BUBBLER,
COPPER, 20IN MACHINE

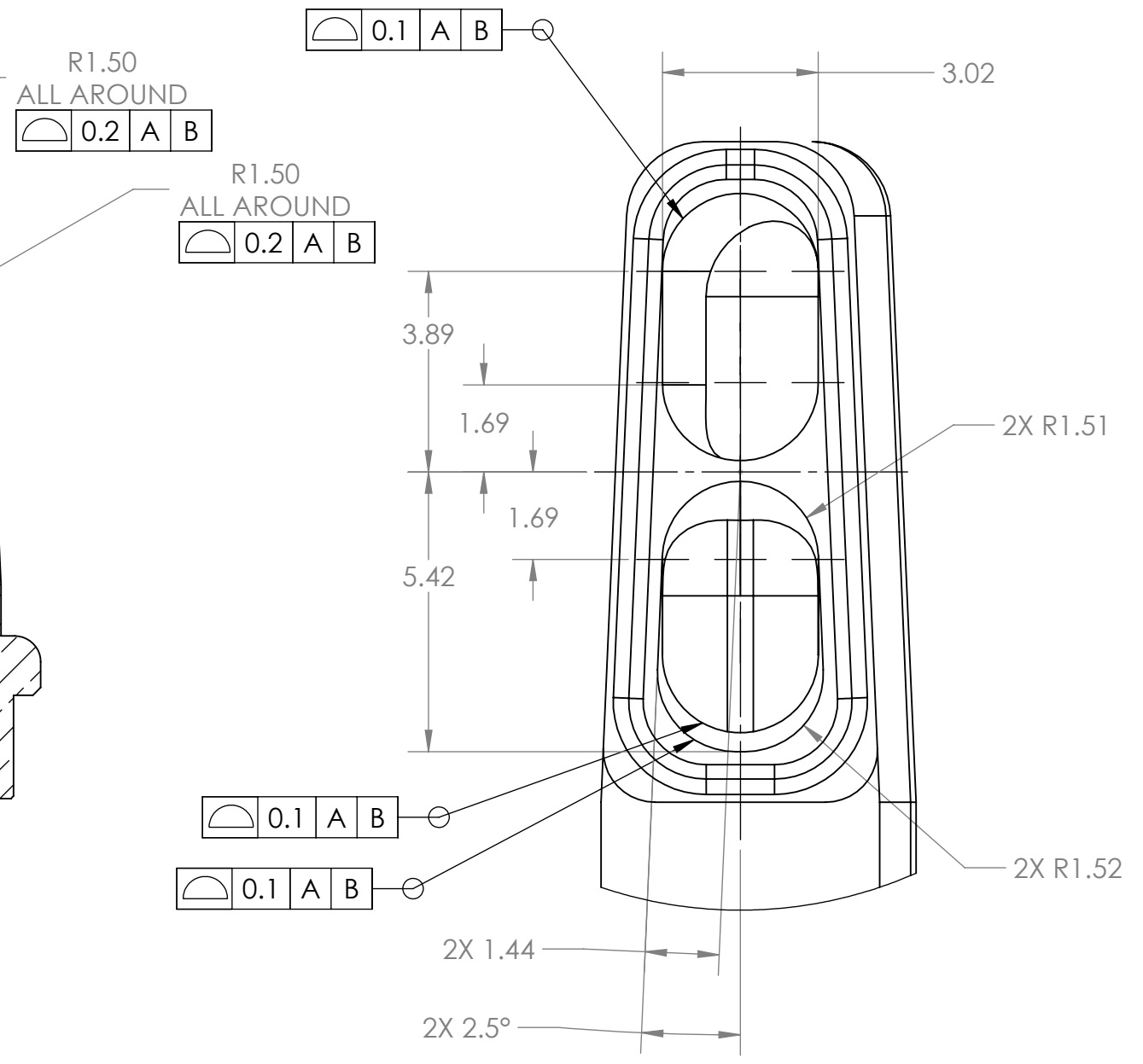
SIZE	PART NUMBER	MAJOR REV	MINOR REV
B	02705	#	00

SCALE: 4:1

SHEET 2 OF 4

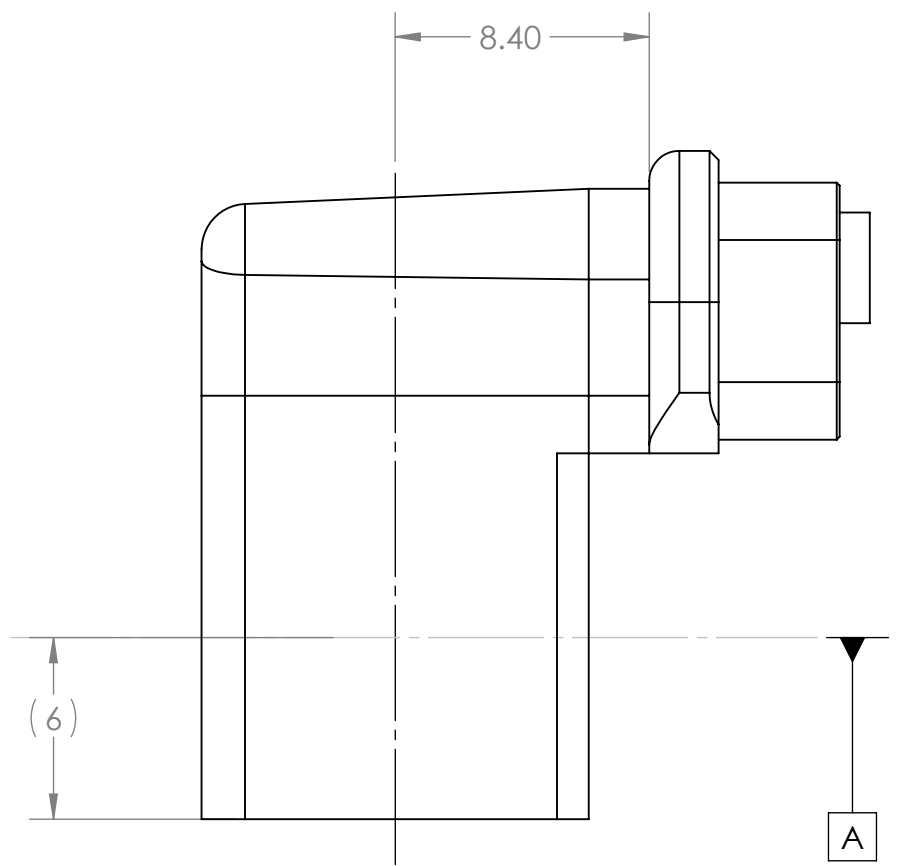
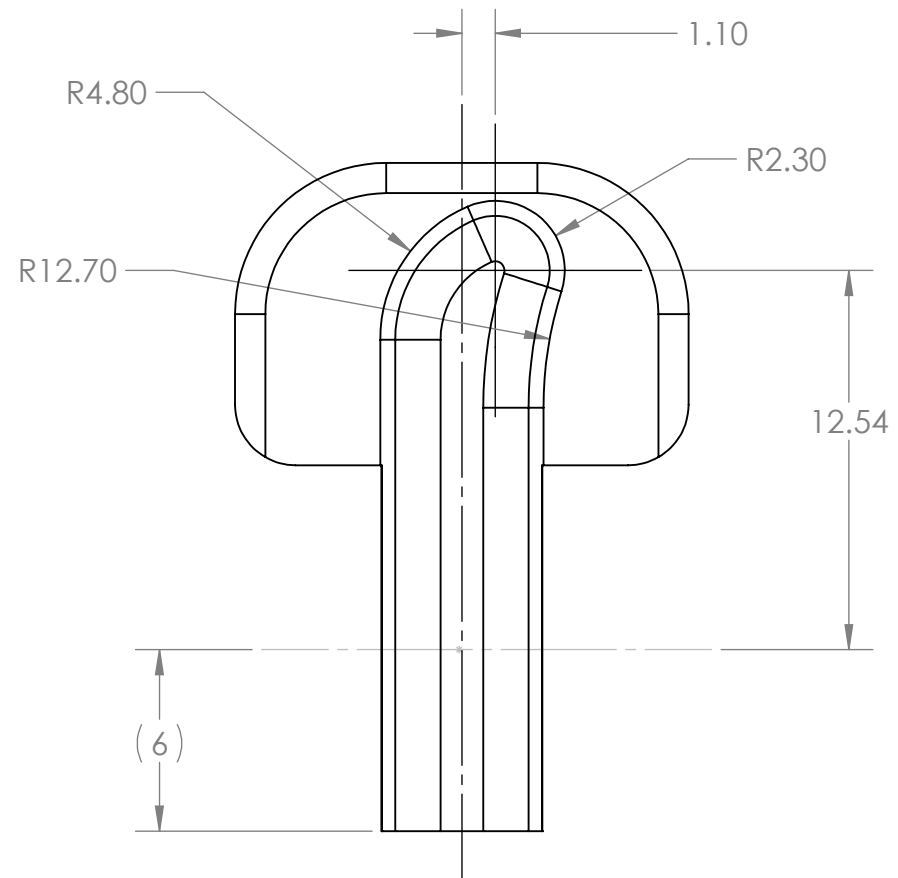


SECTION L-L



DETAIL P
SCALE 8 : 1

MATERIAL SEE NOTES		UNLESS OTHERWISE SPECIFIED:		NAME	DATE	TITLE:	
FINISH NONE		DIMENSIONS ARE IN MILLIMETERS		DRAWN	DJB	CAP, ELBOW, BUBBLER, COPPER, 20IN MACHINE	
MASS 10.09 g		ALL DIMENSIONS ARE BASIC		CHECKED		SIZE PART NUMBER	
PROPRIETARY AND CONFIDENTIAL THE INFORMATION CONTAINED IN THIS DRAWING IS THE SOLE PROPERTY OF LC DRIVES ANY REPRODUCTION IN PART OR AS A WHOLE WITHOUT THE WRITTEN PERMISSION OF LC DRIVES IS PROHIBITED		APPLIES TO ALL UNTOLERANCED SURFACES		ENG APPR.		MAJOR REV	
		DIMENSIONS APPLY AFTER FINISH IS APPLIED		MFG APPR.		MINOR REV	
		INTERPRET GEOMETRIC TOLERANCING PER: ASME Y14.5-2009		Q.A.		# 00	
		DO NOT SCALE DRAWING		LC Drives www.lcdrives.com		SCALE: 4:1	
		3D CAD MODEL IS MASTER				SHEET 3 OF 4	



MATERIAL SEE NOTES		UNLESS OTHERWISE SPECIFIED: DIMENSIONS ARE IN MILLIMETERS ALL DIMENSIONS ARE BASIC APPLIES TO ALL UNTOLERANCED SURFACES DIMENSIONS APPLY AFTER FINISH IS APPLIED INTERPRET GEOMETRIC TOLERANCING PER: ASME Y14.5-2009 DO NOT SCALE DRAWING 3D CAD MODEL IS MASTER		NAME D.J.B.	DATE	TITLE: CAP, ELBOW, BUBBLER, COPPER, 20IN MACHINE						
FINISH NONE		MASS 10.09 g		DRAWN	CHECKED	ENG APPR.	MFG APPR.	Q.A.	SIZE B	PART NUMBER 02705	MAJOR REV #	MINOR REV 00
PROPRIETARY AND CONFIDENTIAL THE INFORMATION CONTAINED IN THIS DRAWING IS THE SOLE PROPERTY OF LC DRIVES ANY REPRODUCTION IN PART OR AS A WHOLE WITHOUT THE WRITTEN PERMISSION OF LC DRIVES IS PROHIBITED		LC Drives www.lcdrives.com		SCALE: 4:1				SHEET 4 OF 4				