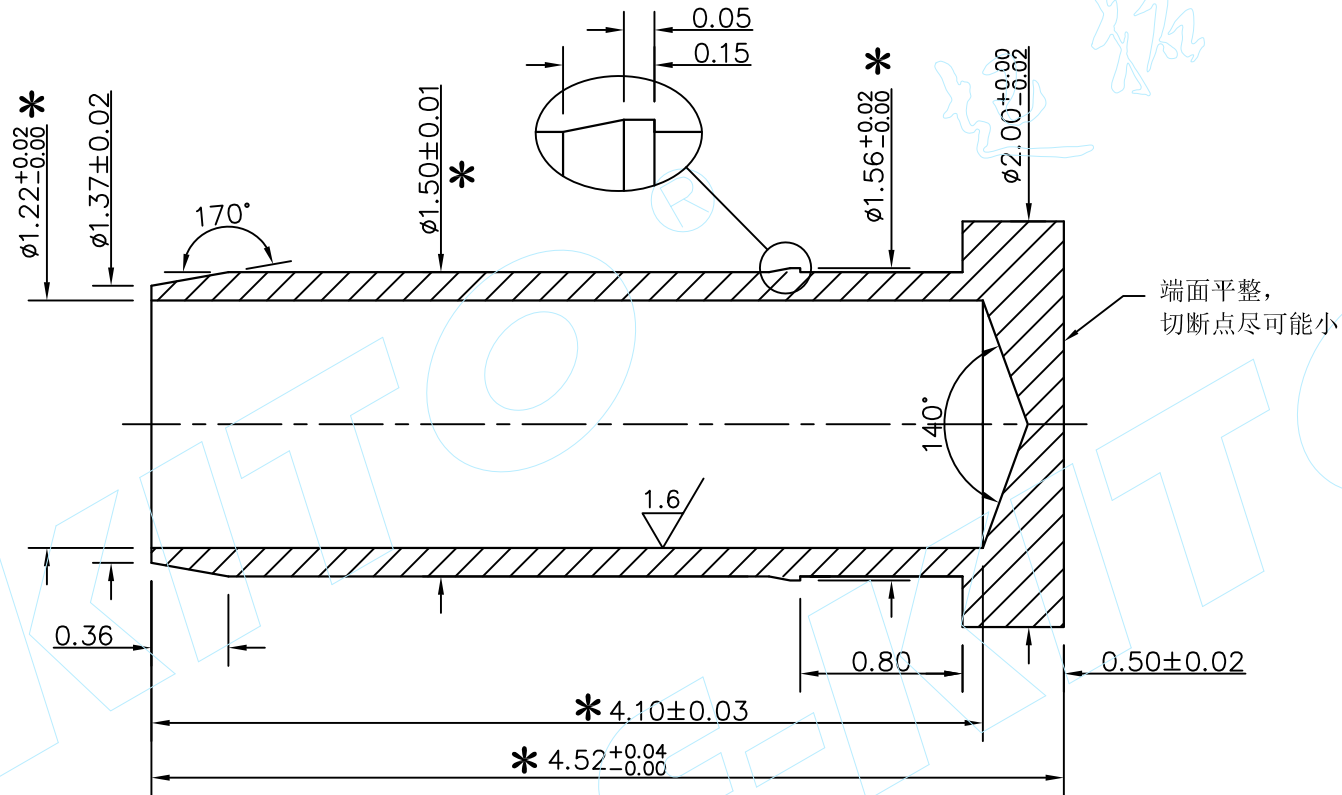


NO.	ECN NO.	DESCRIPTION	DATE
1			



特别说明:用抛光液抛光, 表面要求光亮。

技术要求:

- 1.材料: 不锈钢
- 2.车削后抛光处理, 抛光后表面不能有明显刀纹, 不允许有批锋。毛刺, 尖角; 底部切断点0.03mm以内。
- 3.内孔须光滑, 不能有明显刀纹。
- 4.带“*”为重点尺寸。



DWG. NO.	B20045W00-FS01	DESIGNED BY:		WEIGHT:	0.0335g	UNIT	mm	THE UNMARKED TOLERANCE ARE AS BELOW :
TITLE:	Barrel	CHECKED BY:		SHEET:	1 of 1	PROJECTION		
		APPROVED BY:		DATE:	2018.11.08	VER.	V0	

LENGTH	DIAMETER	ANGLE
X.XX ±0.05mm	X.XX ±0.03mm	X.XX ±0.50°
X.X ±0.10mm	X.X ±0.05mm	X.X ±1.00°
X. ±0.20mm	X. ±0.10mm	X. ±2.00°

E-KITO® 起拓
 东莞市起拓电子科技有限公司
 Dongguan E-Kito Electronic Technology Co., Ltd.