

1 2 3 4 5 6 7 8 9 10 11 12

A

B

C

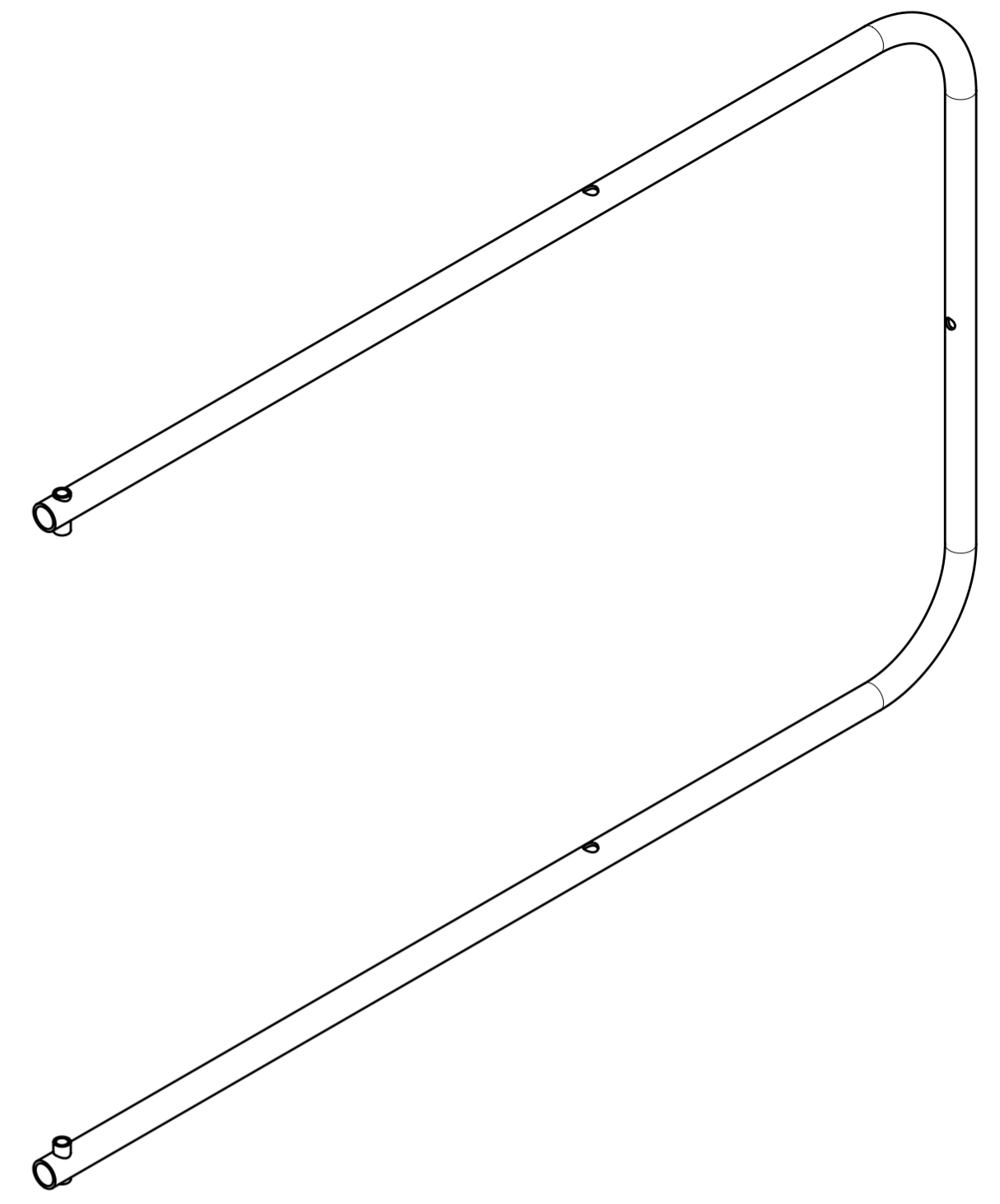
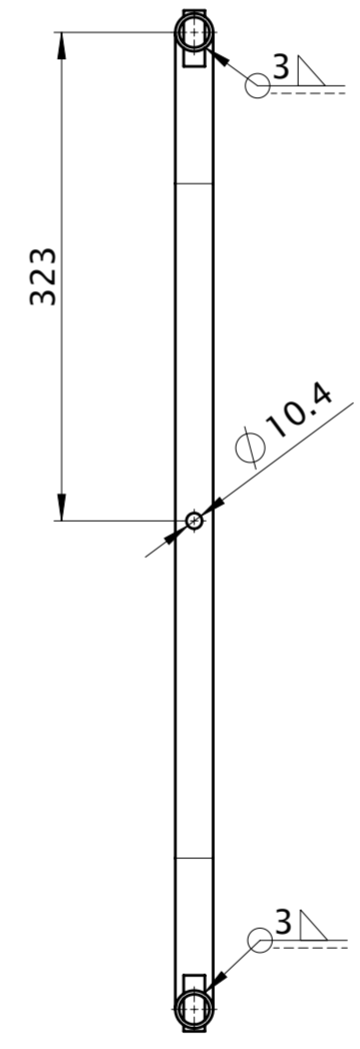
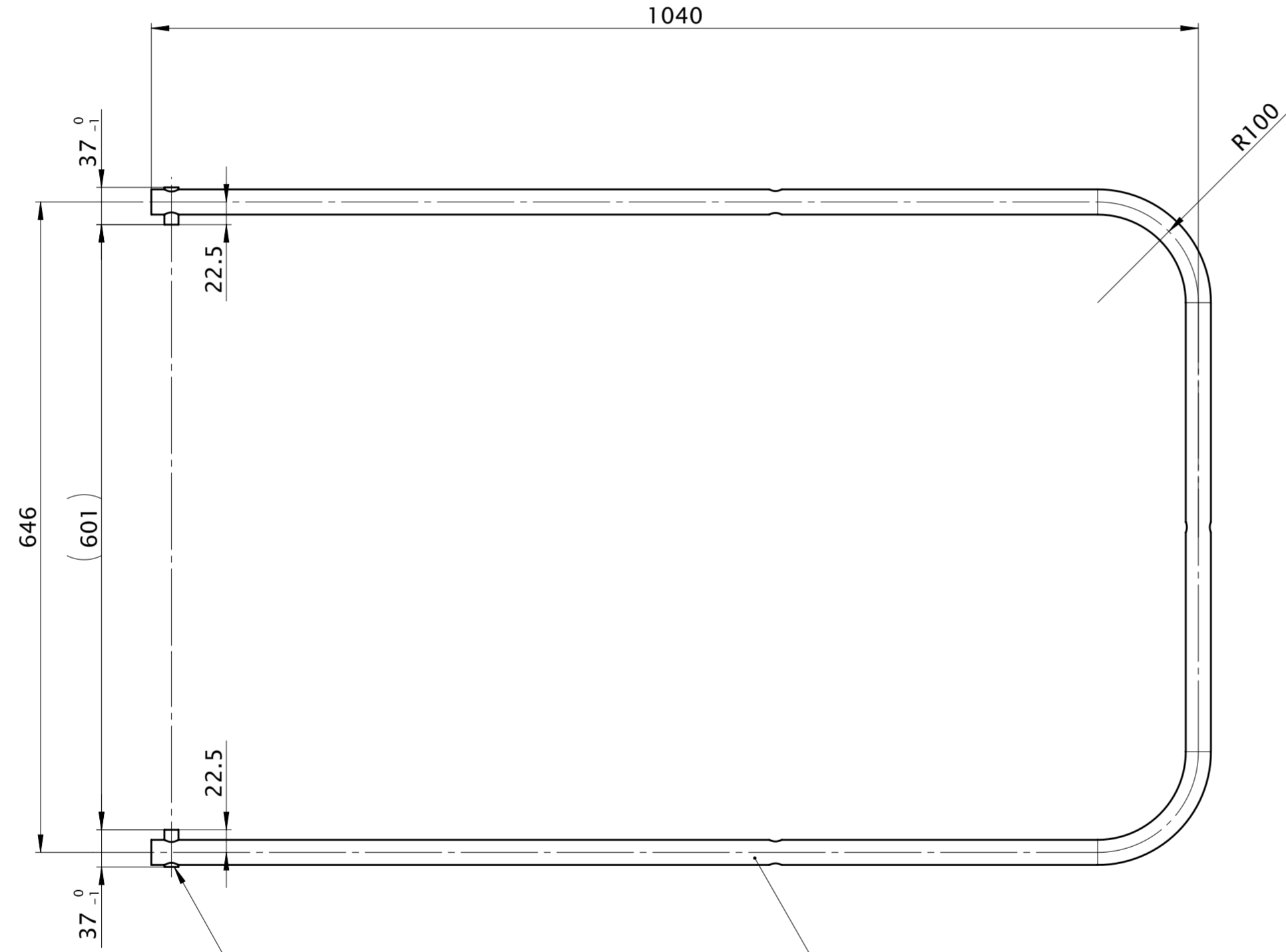
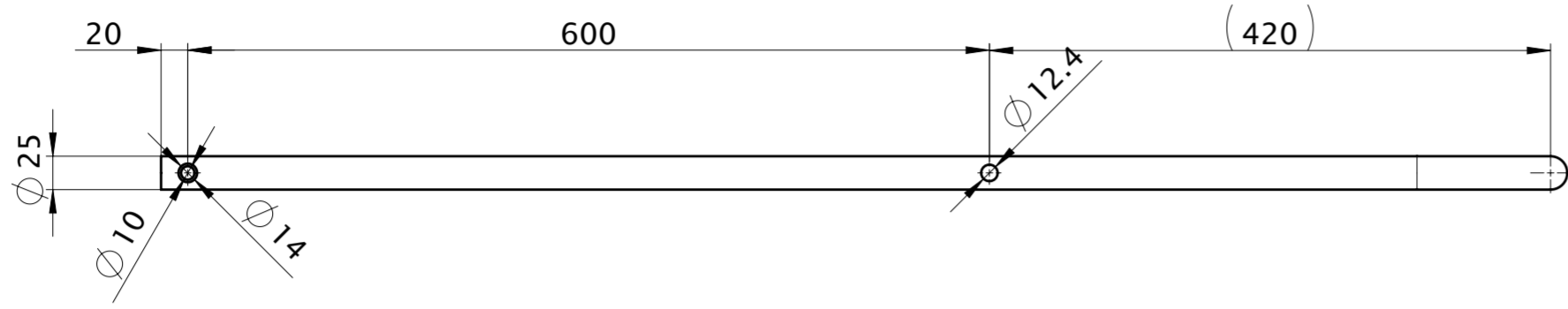
D

E

F

G

H





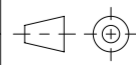
Material :
Stahlrohr / steel tube, ø14x2 , S235JR, 1.0038

Material :
Stahlrohr / steel tube, ø25x2.5, S235JR, 1.0038

pulverbeschichtet, grau RAL 7024, Feinstruktur – seidenglanz
powder coated, grey RAL 7024, fine structured, silky gloss

Anlieferung : einzeln verpackt in PE Folie Schlauch
delivery : each part separately packed in a PE foil tube

part or assembly has to be RoHS conform

| Article | | Material | Remark |
|--|--|---|---|
|  Technical Development |  惠 炫 | Modified: Peter Gehrig | Date: 27-07-2018 Sig: Pg |
| | | Checked: 27.07.2018 | Sig: Pg |
| Autor: Peter Gehrig Date: 02-02-2018 | | Scale: 1:1 Size: A 2 | Project: GenX+ SAP No: 4133383 Dwg No: 25004-94 |
| Handle Griffbügel | |  | CONFIDENTIAL Version: 2 |

1 2 3 4 5 6 7 8