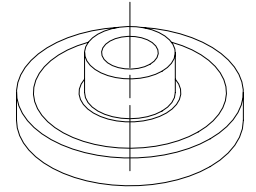
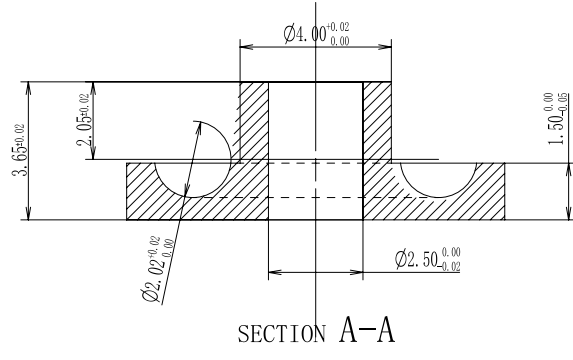
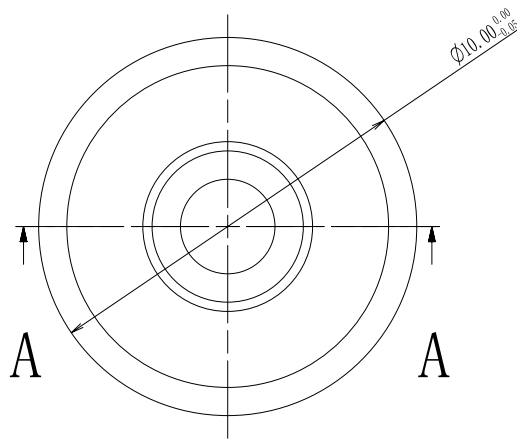


q,	
p, offset	✓
o, Gyration	✓
n, Distribute	✓
m, Q' TY	✓
l, Note	✓
k, FinishSigh	✓
j, Heat Treatment	✓
i, Material	✓
h, Name	✓
g, Daw No.	✓
f, Tolerance	✓
e, Machining SupportLine	✓
d, Position	✓
c, HEIGHT (DEPTH)	✓
b, Measure	✓
a, SHAPE	✓
DESIGN CHECK	
PROCESS SHEET	
FINISHING	
PROCESS	
PROJECTION	
WEDM	
MC	
NF	
NL	
EDM	
NGJ	
NPG	
OUT	



Direct Machining
Layout

Manufacturer 公司名称	
Type 型号	
Grade 编号	
Color 颜色	

1.	2018. 11. 02	1	Model	Q' TY	FINISH/ROGNESS 表面仕上	SURFACE TREATMENT 表面处理
				HEAT TREATMENT 热处理	MATERIAL 材料	
					SUS304	
SYM.	DATE	EXCH. No.	REVISION		NC	
OVER 250 UP TO 1000	±0.3	±0.5	±1	±	APPROVED	CHECKED
OVER 63 UP TO 250	±0.2	±0.3	±0.6	±	CHECKED	DESIGNED
OVER 16 UP TO 63	±0.1	±0.2	±0.4	±		
OVER 0 UP TO 16	±0.05	±0.1	±0.2	±		
UNIT (mm)	A	B	C	S	DRAW	郭红传
ANGLE ±	TOLERANCE				SCALE	5:1
				DATE	2018. 11. 02	DRAW. No.
				NAME		
				Following from-a04		
				Following from		