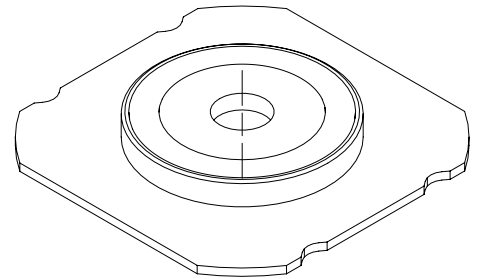
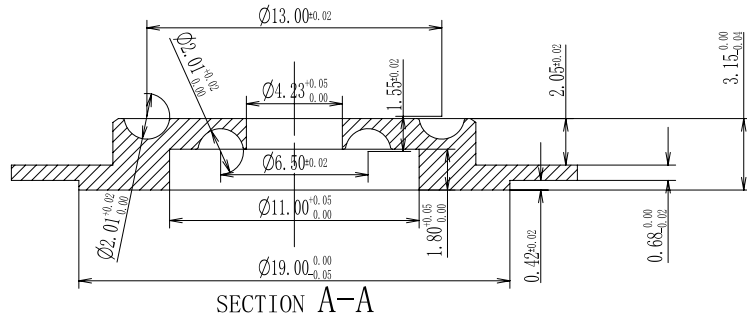
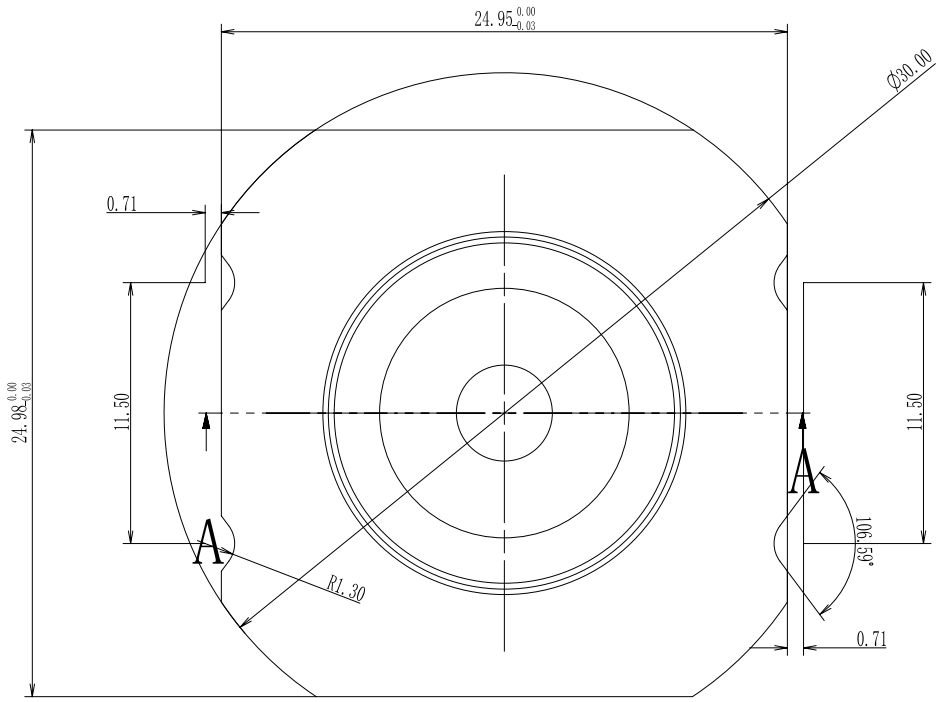


q,	
p, offset	✓
o, Gyration	✓
n, Distribute	✓
m, Q' TY	✓
l, Note	✓
k, FinishSigh	✓
j, Heat Treatment	✓
i, Material	✓
h, Name	✓
g, Daw No.	✓
f, Tolerance	✓
e, Maching SupportLine	✓
d, Position	✓
c, HEIGHT (DEPTH)	✓
b, Measure	✓
a, SHAPE	✓
DESIGN CHECK	
PROCESS SHEET	
FINISHING	
PROCESS	
PROJECTION	
WEDM	
MC	
NF	
NL	
EDM	
NGJ	
NPG	
OUT	



Direct Machining
Layout

Manufacturer 公司名称	
Type 型号	
Grade 编号	
Color 颜色	

				FINISH/ROGHNSS 表面仕上		SURFACE TREATMENT 表面处理	
1.				2018. 11. 2		1	
				HEAT TREATMENT 热处理		MATERIAL 材料	
SYM. DATE EXCH. No. REVISION NC				Model Q' TY		SUS303	
OVER 250 UP TO 1000 ±0.3 ±0.5 ±1 ±				APPROVED		DRAW	
OVER 63 UP TO 250 ±0.2 ±0.3 ±0.6 ±				CHECKED		SCALE 3:1	
OVER 16 UP TO 63 ±0.1 ±0.2 ±0.4 ±				CHECKED		NAME	
OVER 0 UP TO 16 ±0.05 ±0.1 ±0.2 ±				DESIGNED		Following from-a03	
UNIT (mm) A B C S				DRAW 郭红传		DATE 2018. 11. 02	
ANGLE ± TOLERANCE						DRAW. No. Following from	