

4

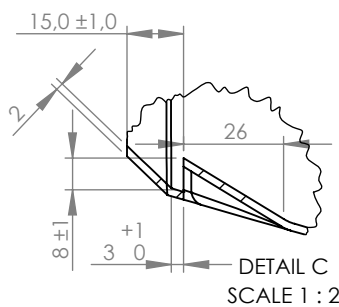
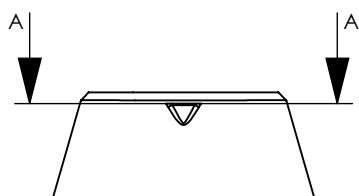
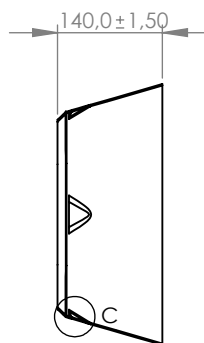
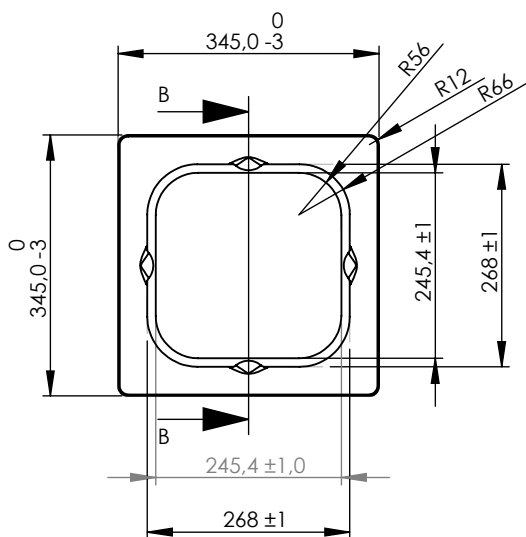
3

2

1

F

F

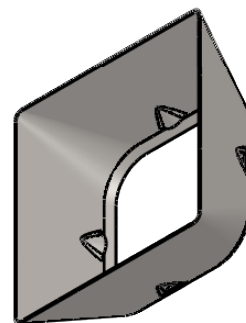
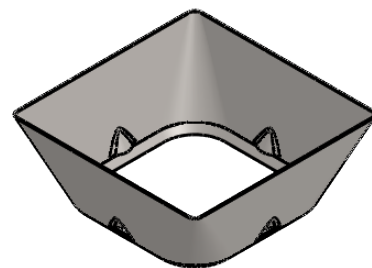
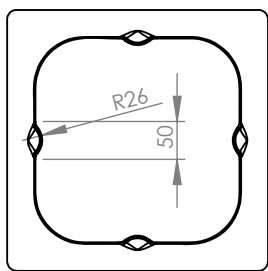


D

D

C

C



B

B

1	Platepart 5 steel 2mm mod.1								
ITEM NO	PART OR MATERIAL		STANDARD OR DRAWING	MATERIAL CODE	MATERIAL QUALITY / MATERIAL STD		QTY		
GENERAL TOLERANCE ISO 2768-m		SCALE 1:10	DESCRIPTION Platepart 5 Steel 2mm mod.1						
DRW	6.11.2018		A4		DRAWING NUMBER		REV		
DATE									
CHD								WEIGHT 2702.50	
APP								SHEET 1 OF 1	

A

A

4

3

2

1