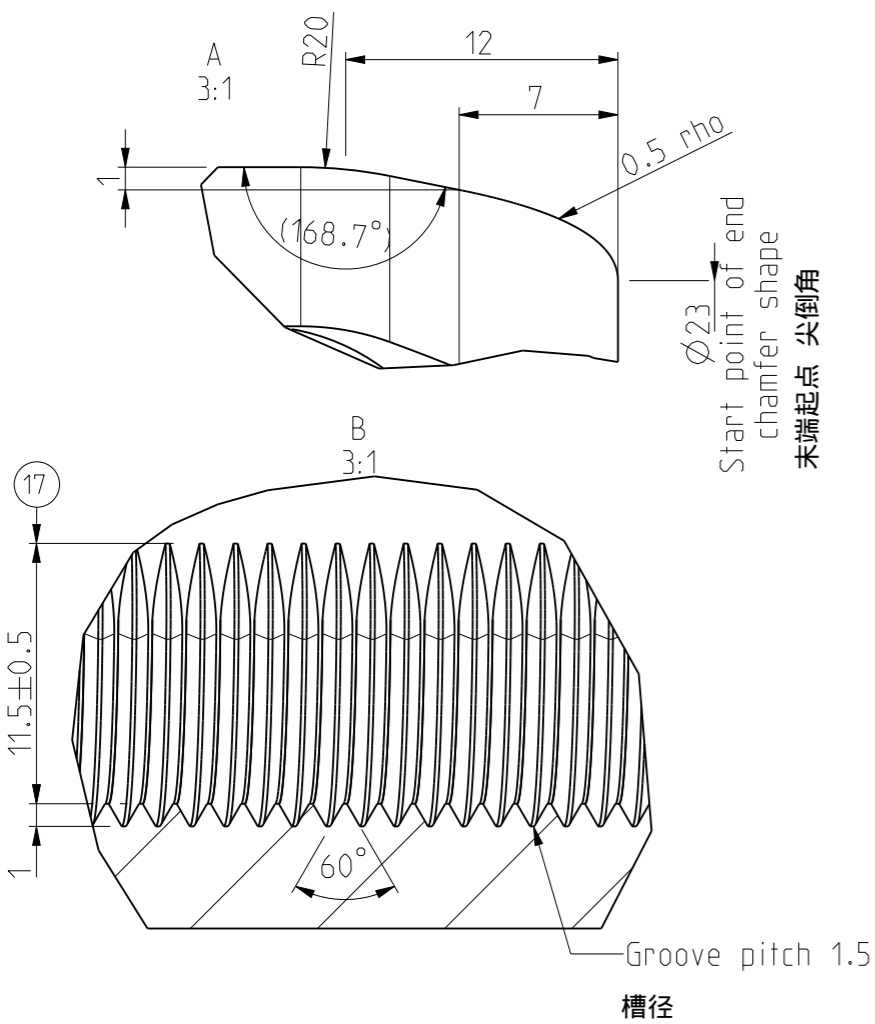
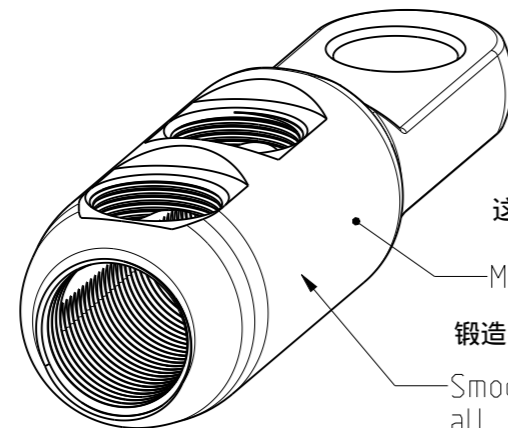


Model PDA240-630A-B_part [A]
 Drawing PDA240-630A-B.dwg
 Tolerance ISO 2768-m
 >0.5 =3 ±0.1
 >6 =6 ±0.1
 >6 =30 ±0.2
 >30 =120 ±0.3
 >120 =400 ±0.5
 >400 =1000 ±0.8



Start point of end chamfer shape
 末端起点 尖倒角

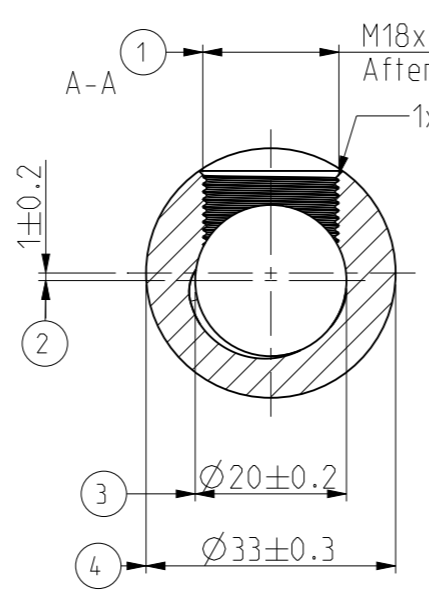
Groove pitch 1.5
 槽径



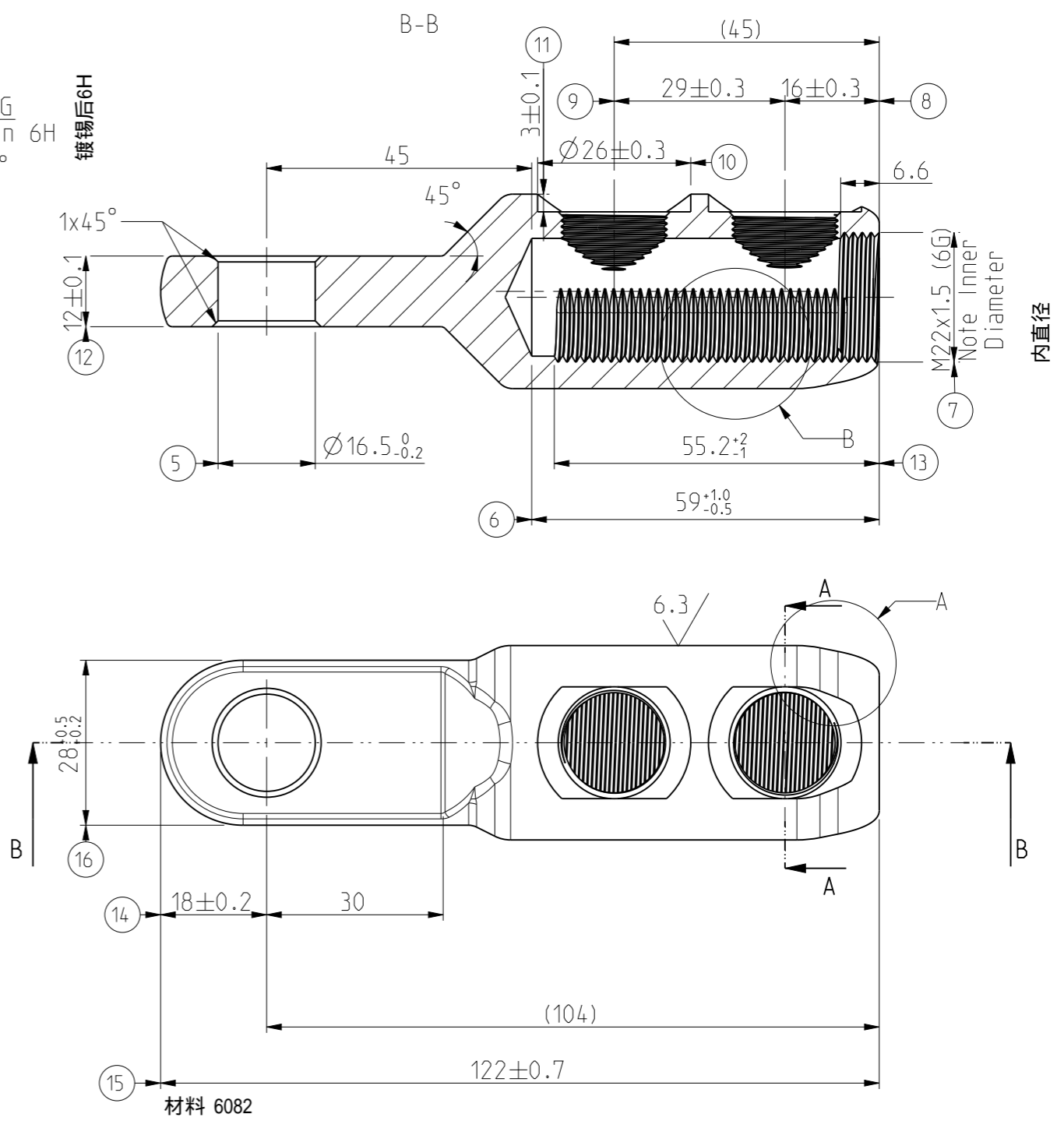
这里检测厚度
 Measure tin thickness here
 锻造毛刺要去掉
 Smoothen forging burrs all around the part.
 Sharp edges are not allowed.
 不接受锐边吧

镀锡 12UM (+2/-2) 热处理T6

Surface Treatment:	Tin plating 12um (+2/-2)
Heat Treatment:	T6
Inspection Instruction:	Inspection dimensions marked with numbers



ID	Description	Date	By	Appr.
A	New	04.12.2018	ATo	



材料 6082

Part	Code	Description	Pcs	Weight [g]/pcs
Supplier: -		Tool No: -	Volume -	Weight [g] 125
Material: AA6082 T6				
				Replaces:
Scale 1:1		Date 02.10.18		Replaced:
A3		By ATo		Drw No: 000441336 A
Sheet No: 1 (1)		Checked		Ref: PDA240.630A
		Ctrl		Code: PDA240.630A-B

Separable Connector Lug Body, Unmarked
 50 - 240 mm², 630A