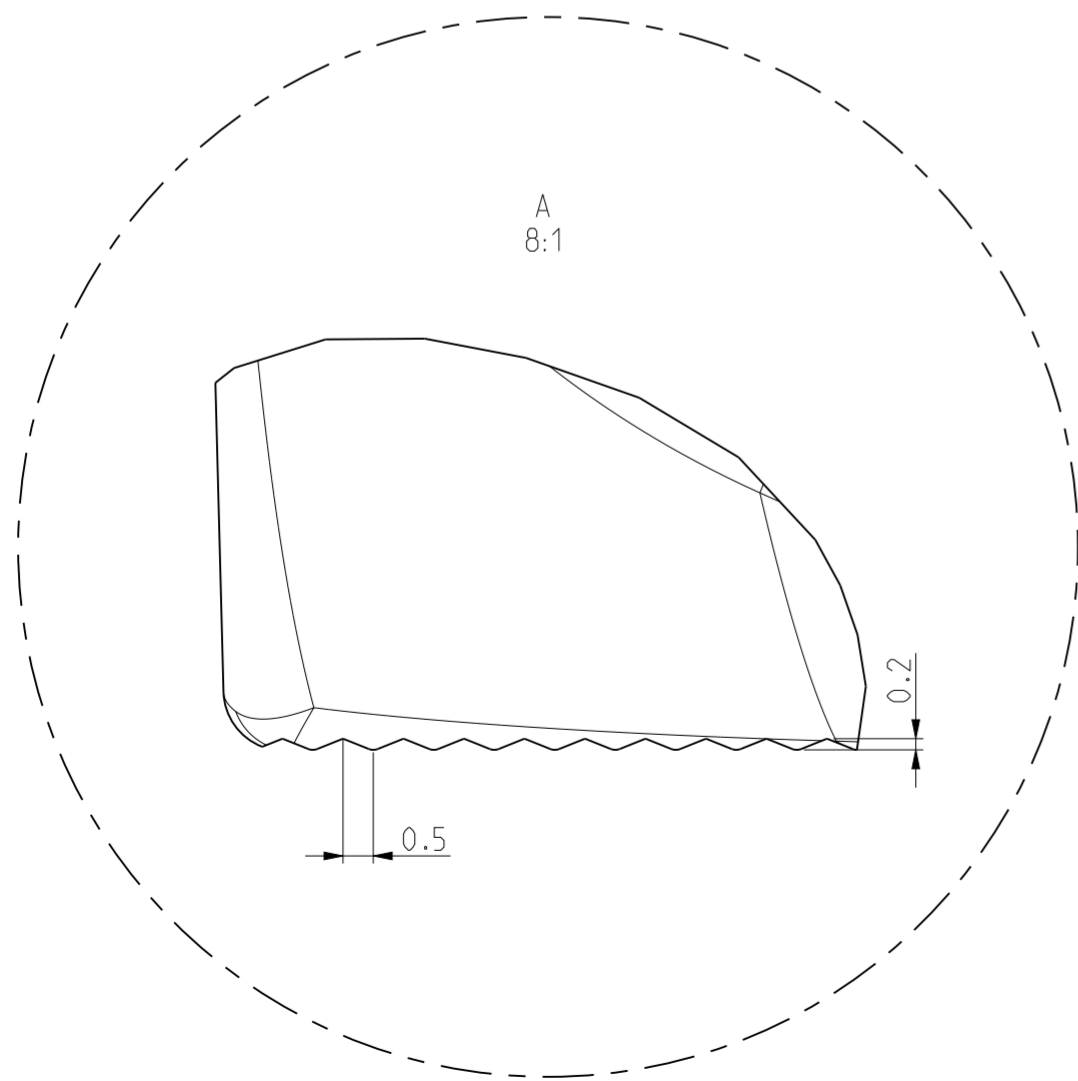
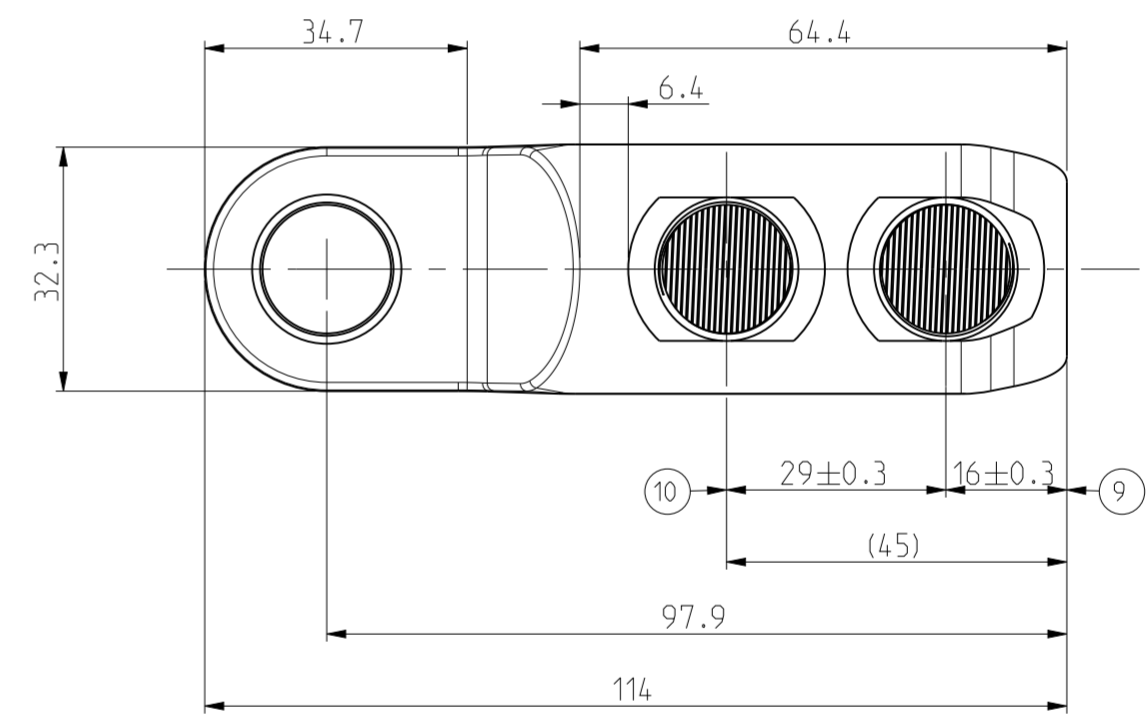
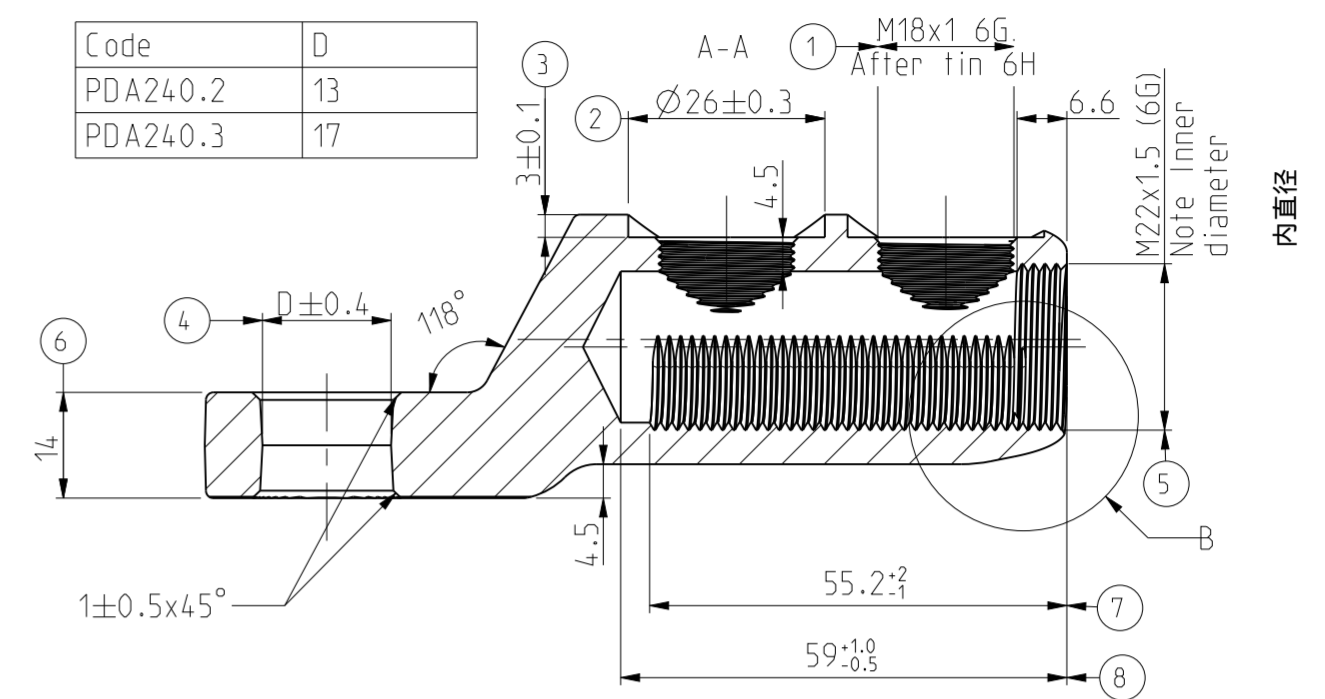
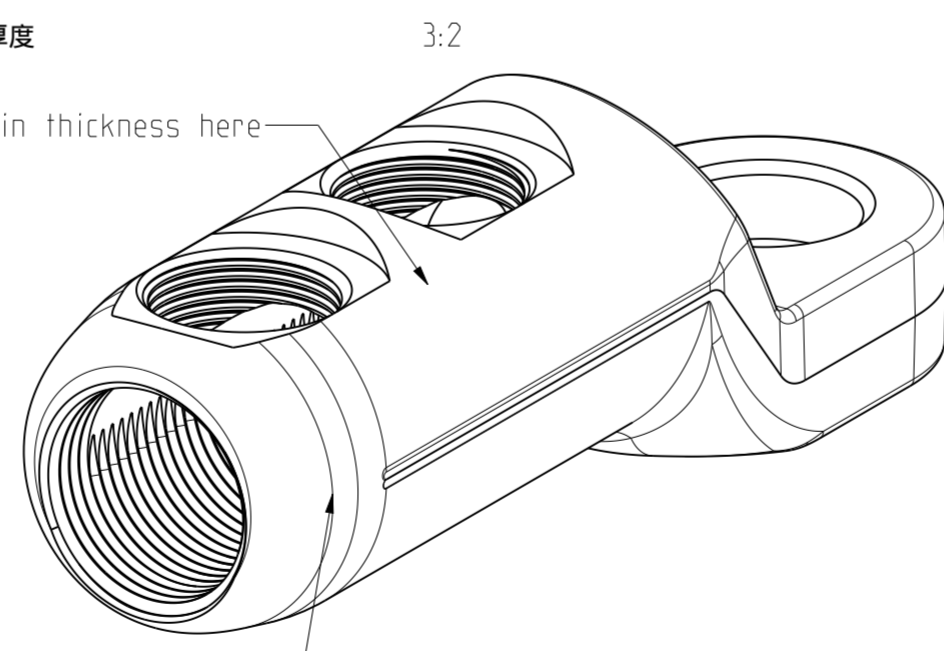


Code	D
PDA240.2	13
PDA240.3	17



这里检测厚度  
Measure tin thickness here



Smoothen forging burrs all around the part. Sharp edges are not allowed  
锻造毛刺去掉  
不接受锐边

镀锡 12±2UM 材料 6082

Surface Treatment: Tin plating 12 ± 2 μm

Symbol	Instruction of the Symbol	No. of Dim
⊕	Basic Dimension. To be measured in full measurement of part	12
⊖	Cpk dimension. To be measured in process capability study	-
⊙	SPC dimension. To be measured during production	-

Note: All numbered dimensions are to be measured in full measurement

Part	Code	Description	Pcs	Weight (g)/pcs
Supplier: -	Tool No: -	Volume: -	Weight (g): 135	
Material: AA6082 T6				
		Replaces: Replaced: Draw No: 000427751 A Ref: PDA240.13, PDA240.17 Code: PDA240.X		
Scale: 1:1	Date: 18.09.18	Cable Lug Body		
A2	By: ATo	50-240 mm <sup>2</sup>		
Checked:	Checked:			
Sheet No: 1 (1)	Ctrl:			