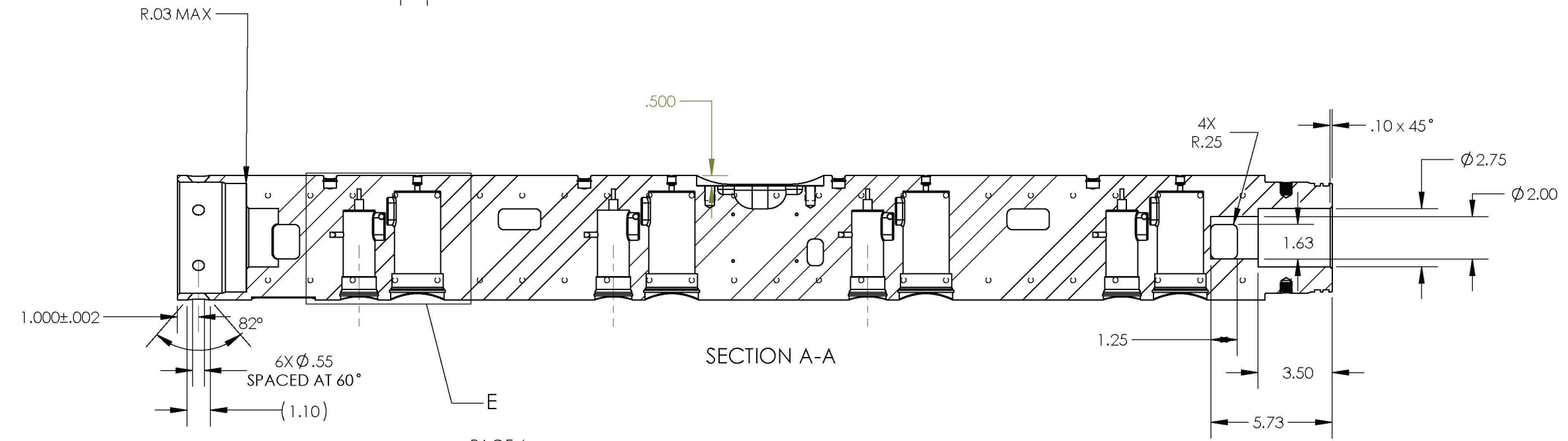
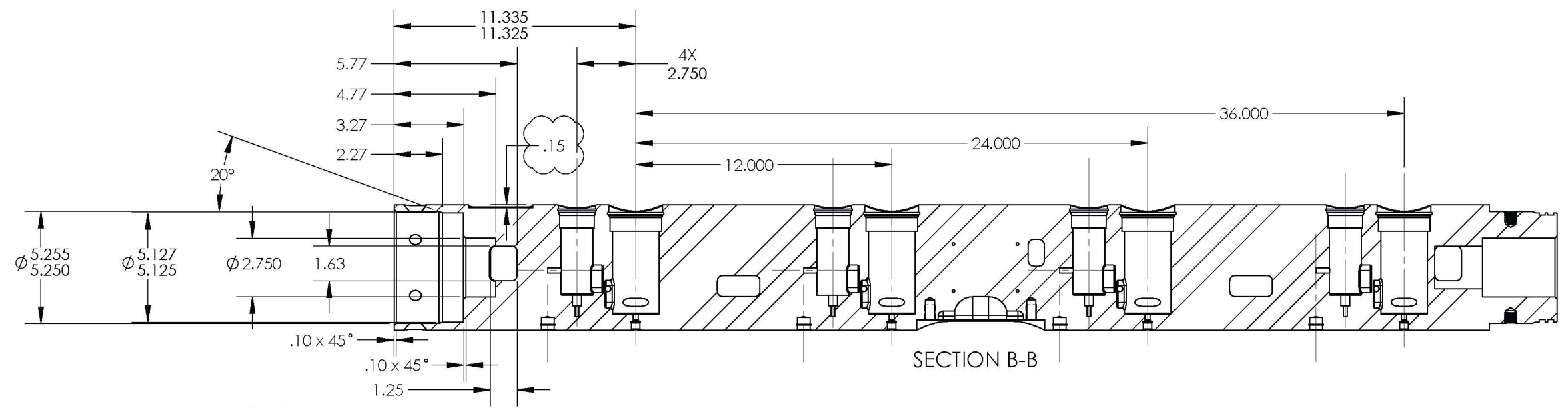


REVISION	LOCATIONS	DESCRIPTION	DATE
C		ADDED NEW CASING FOOT PROFILE FOR WHEEL, ADDED CHAMFER AROUND BOLT HOLES IN PIN, INCREASED O-RING WIDTHS FOR BACKUPS	6-APR-16
D		VARIOUS CHANGES TO IMPROVE MACHINABILITY	12-APR-17



PAGE 6

UNLESS OTHERWISE SPECIFIED:  
 -DIMENSIONS ARE IN INCHES  
 -TOLERANCES:  
 FRACTIONAL ± 1/32  
 ANGULAR: MACH ± 1.0 BEND ± 5.0  
 TWO PLACE DECIMAL ± .015  
 THREE PLACE DECIMAL ± .005  
 -SURFACE FINISH 63 RMS

THIRD ANGLE PROJECTION

NEXT ASSY  
**TRANSDUCER MODULE ASSY**  
 PROPRIETARY AND CONFIDENTIAL  
 THE INFORMATION CONTAINED IN THIS DRAWING IS THE SOLE PROPERTY OF TURKANA INC. ANY REPRODUCTION IN WHOLE OR PART WITHOUT THE WRITTEN PERMISSION OF TURKANA INC. IS PROHIBITED.

	NAME	DATE
DRAWN	DSC	15-APR-16
CHECKED		
REVISED		12-APR-17

MATERIAL/COMMENTS:  
15-15 LC

TITLE:

SIZE **B** DWG. NO. **1440** REV **D**

File Name 1440\_TRANSDUCER MODULE

SCALE: 1:6 DO NOT SCALE DRAWING SHEET 2 OF 8