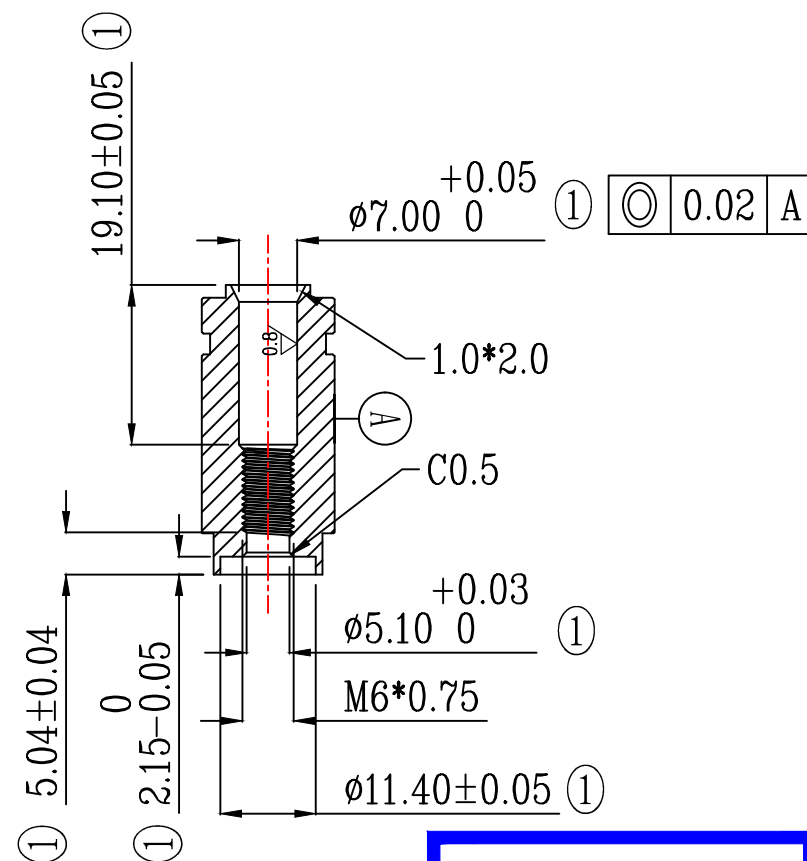
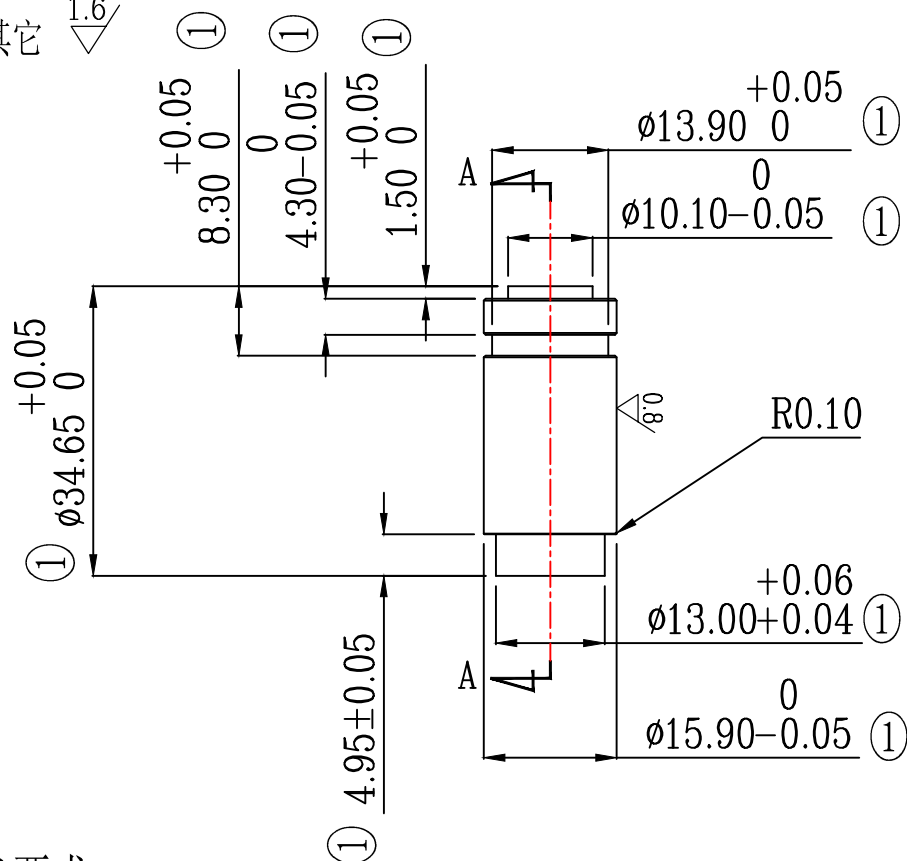




REV:		DATE

其它 $\nabla 1.6$



技术要求:

1. 材质: 430F
2. 零件表面不可有披锋、划伤等缺陷.
3. 图中①为重点尺寸.
4. 未注倒角为C0.1

SECTION A-A

试制

MATERIAL: 430F		PART NAME: 阀体配件2: $\phi 15.90 \times 34.65$ MM		
PROJECTION: $\oplus \nabla$	MODEL No: SN904-2R12V-1	SCALE	SHEET	REV.
X \pm 0.2	X* \pm 1.0°	PART No: MA15349041B	1:1	1/2
.X \pm 0.1	.X* \pm 0.5°	DESIGNER:	CHECKED:	APPROVED:
.XX \pm 0.05	.XX* \pm 0.05°	DATE:	DATE:	DATE: